

## INSTRUMENT MANIFOLD

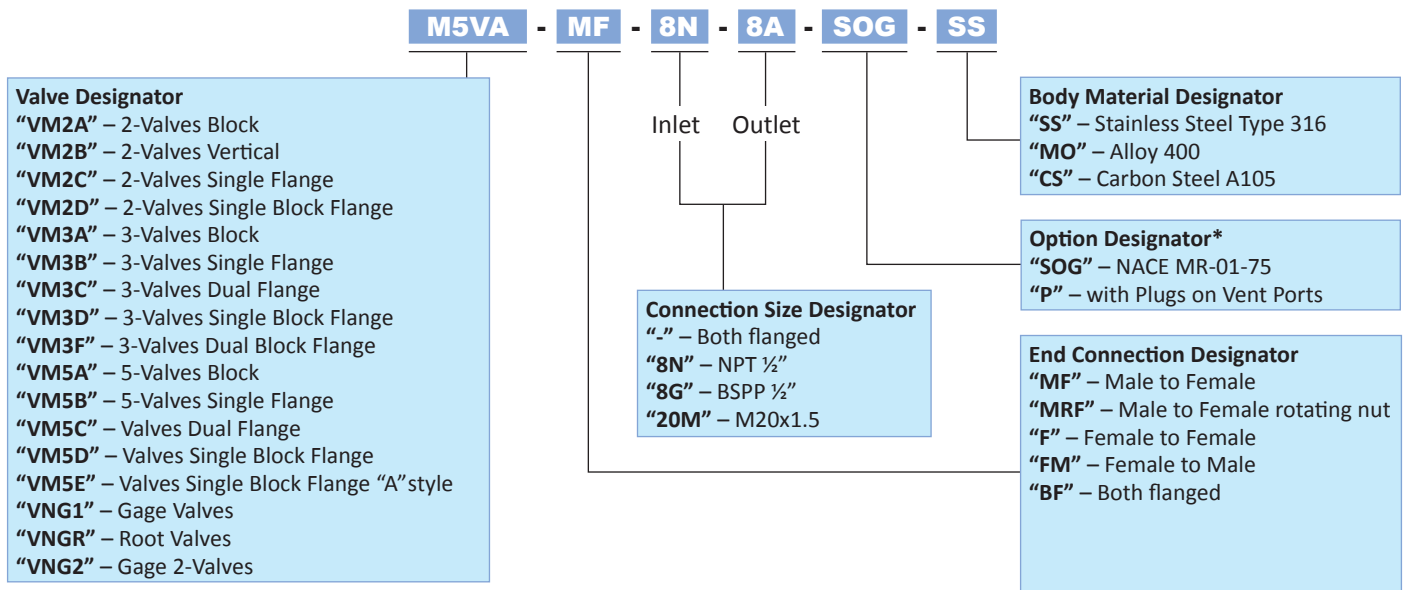
### FEATURES

- Pressure rating up to 410 bar (6000 psig) @ 38°C (100°F)
- Body materials available in 316 stainless steel, carbon steel, alloy 400
- 100% factory tested

### MATERIALS OF CONSTRUCTION

Description	Material Grade
Body	SS316
Stem	SS316
Vee Tip	SS316
Bonnet	SS316
Packing	PTFE
	Grafoil (optional)
Packing Bolt	SS316
Lock Nut	SS316
Stop Pin	Stainless Steel
Handle	SS316
Set Screw	Stainless Steel
Locking Plate	Stainless Steel
Wrench Bolt	Stainless Steel
Spring Washer	Stainless Steel

### ORDERING INFORMATION

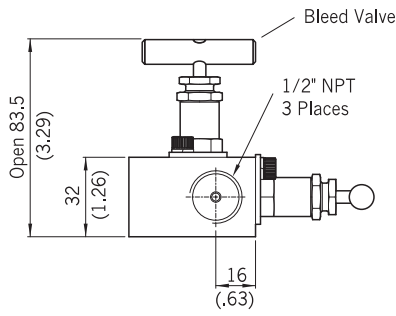
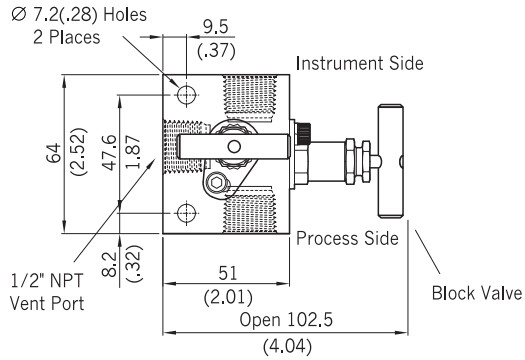
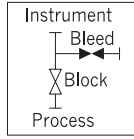


#### SAFETY in VALVE SELECTION

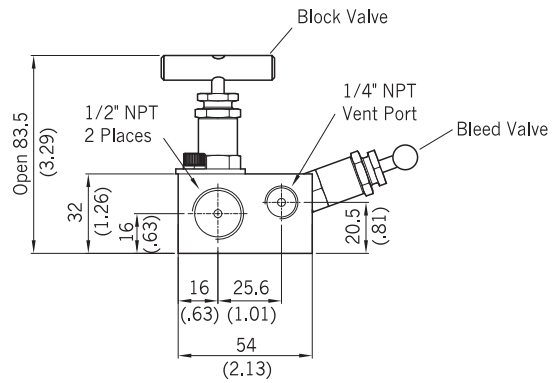
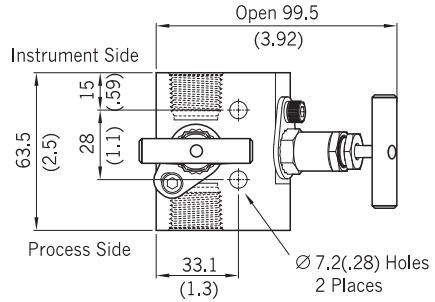
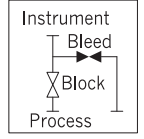
Proper installation, materials compatibility, operation and maintenance of these valves are the responsibility of the user. The total system design must be taken into consideration to ensure optimal performance and safety

REMOTE MOUNTING

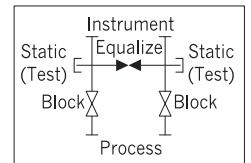
2-Valves Block  
**VM2A-F-8N**



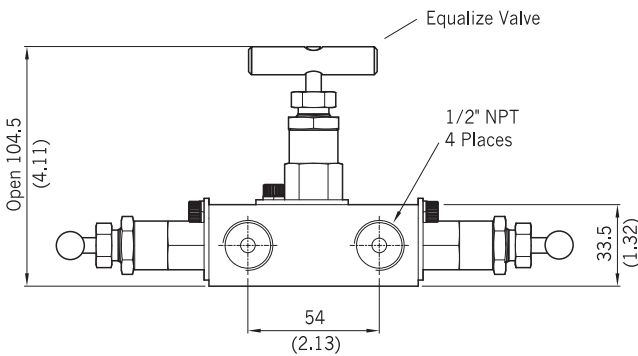
2-Valves Vertical  
**VM2B-F-8N**



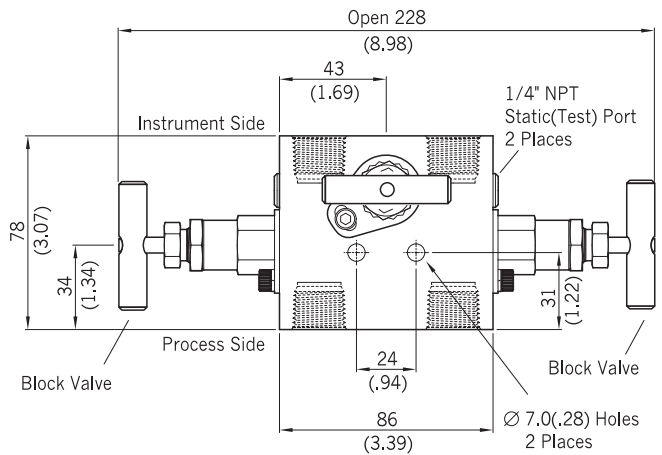
3-Valves Block  
**VM3A-F-8N**



Side View



Top View

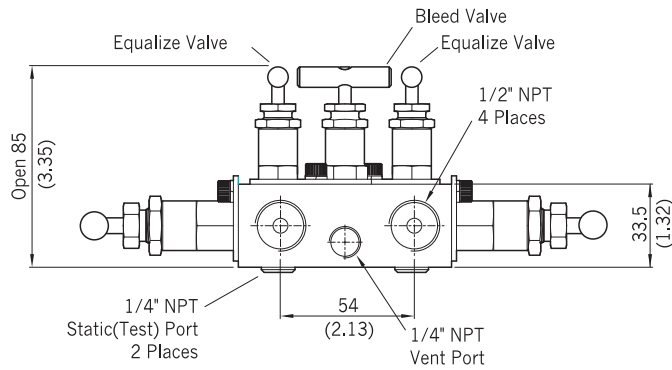
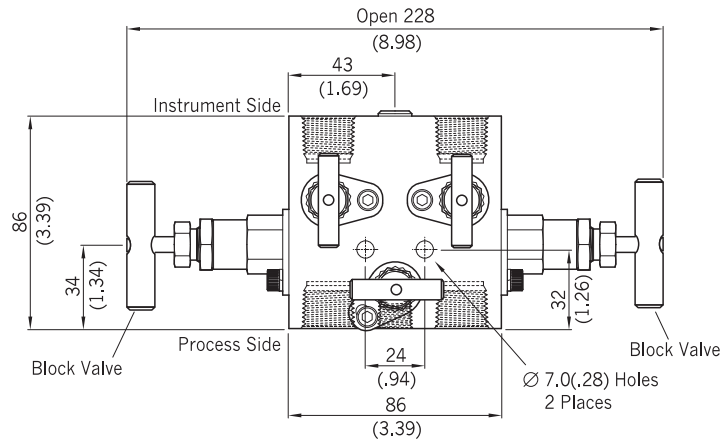
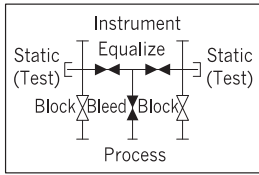


All dimensions are in millimetres (inches) reference only, subject to change.

Instrument Manifold

5-Valves Block

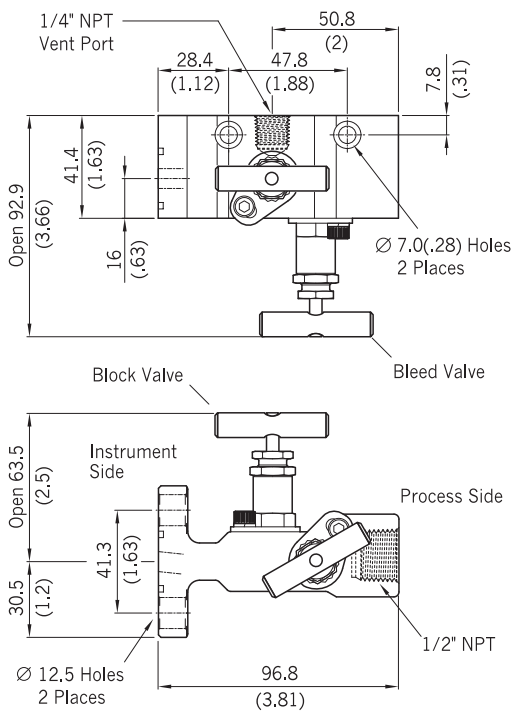
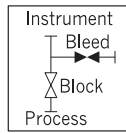
**VM5A-F-8N**



DIRECT MOUNTING

2-Valves Single Flange

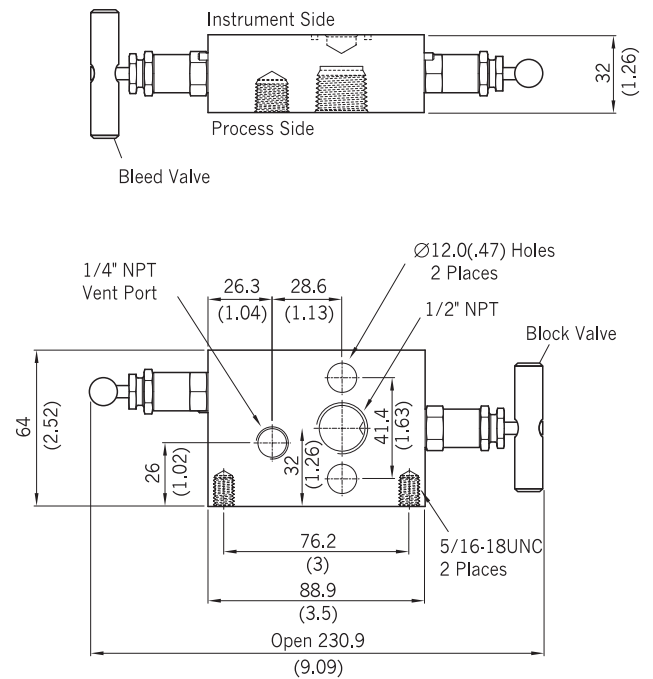
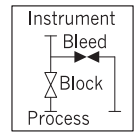
**VM2C-F-8N**



2-Valves Single Block Flange

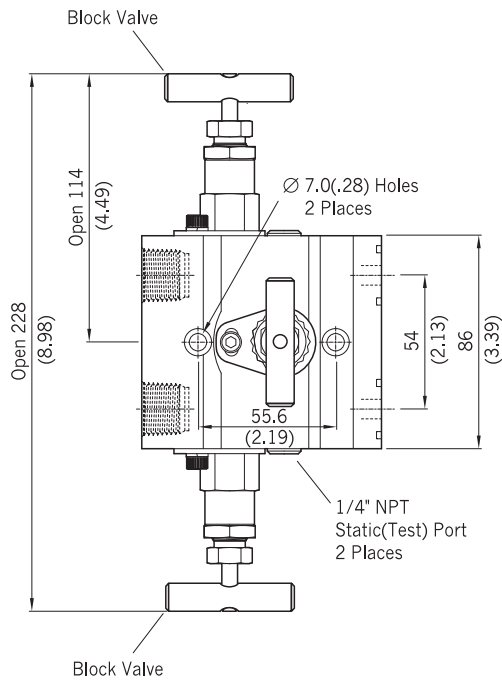
**VM2D-F-8N**

1.6 kg (3.5 lb)

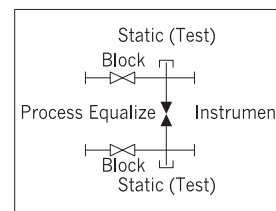
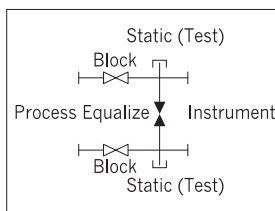
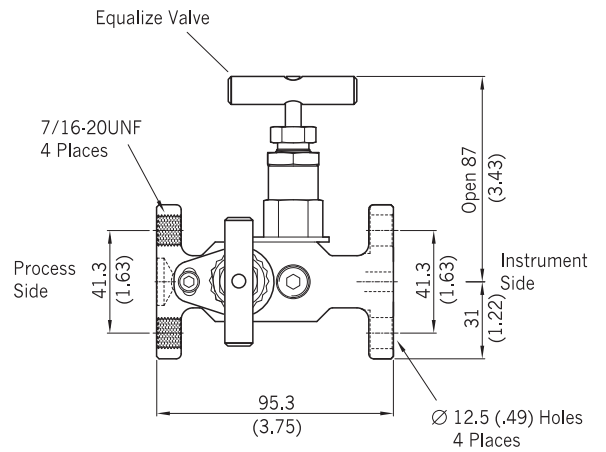
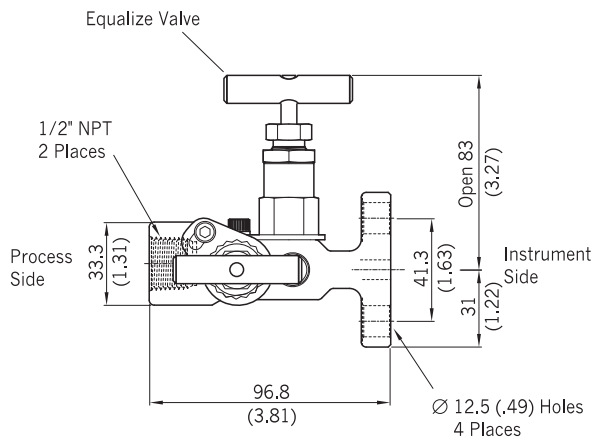
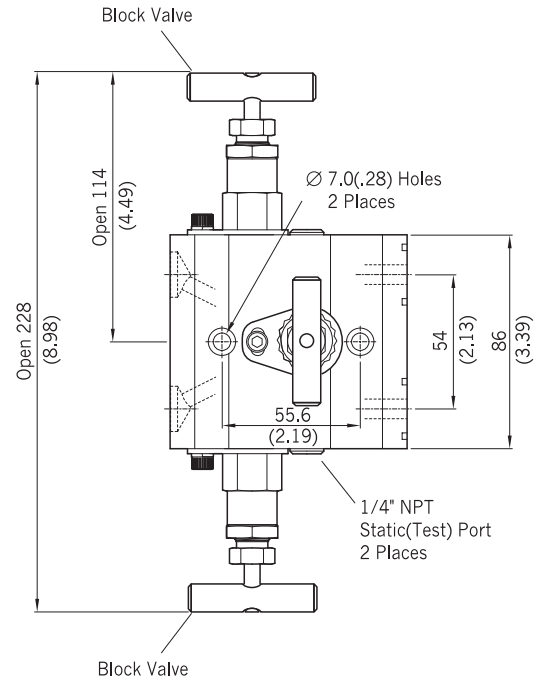


All dimensions are in millimetres (inches) reference only, subject to change.

3-Valves Single Flange  
**VM3B-F-8N**



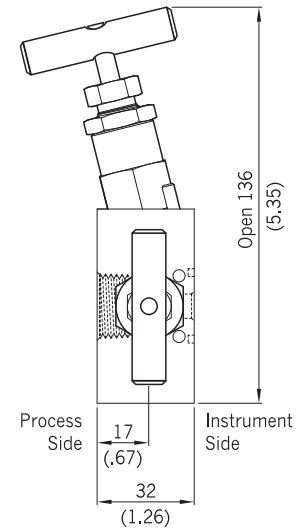
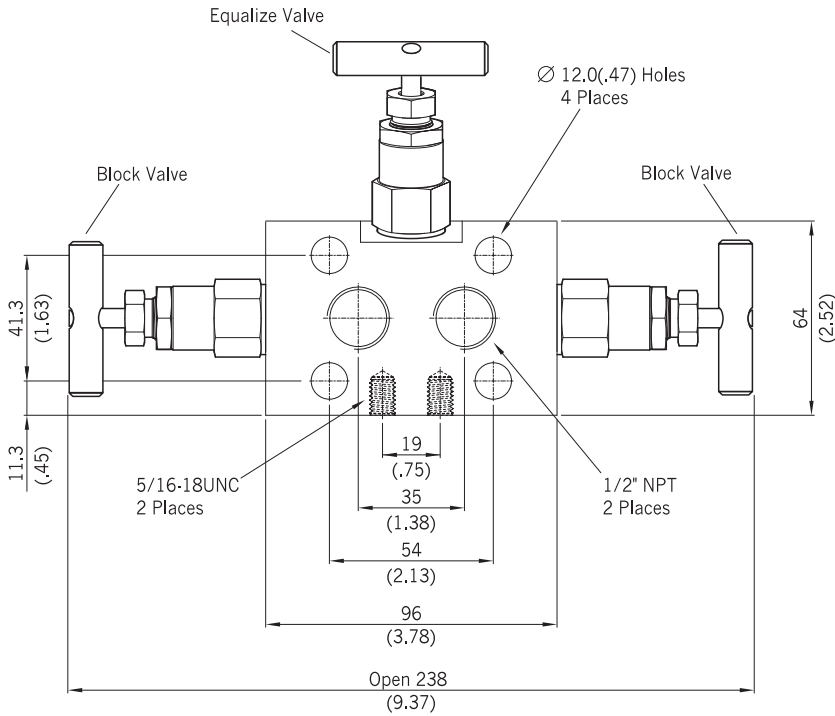
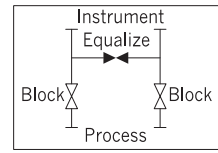
3-Valves Dual Flange  
**VM3C-BF**



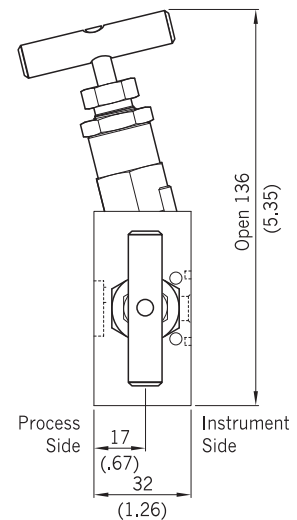
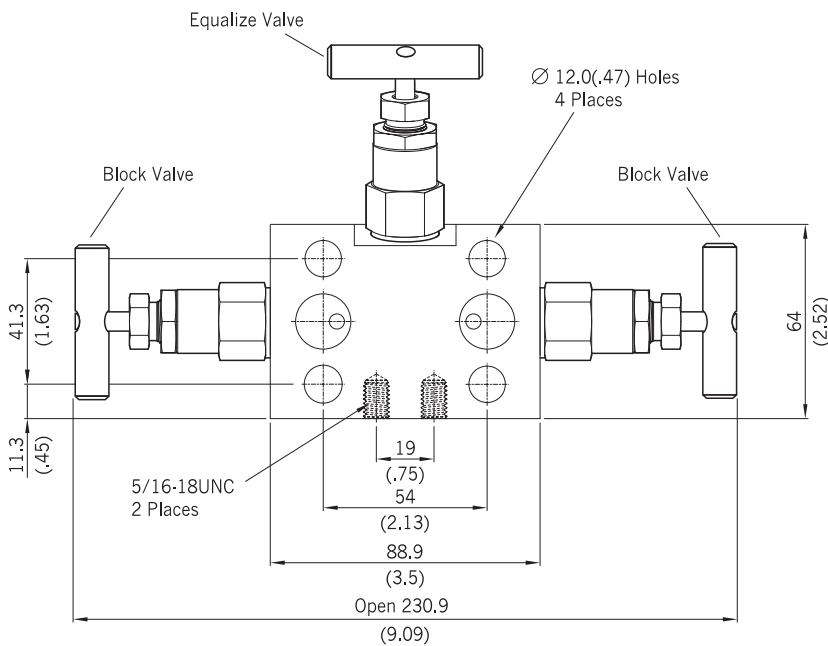
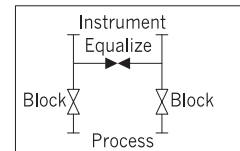
All dimensions are in millimetres (inches) reference only, subject to change.

Instrument Manifold

3-Valves Single Block Flange  
**VM3D-F-8N**

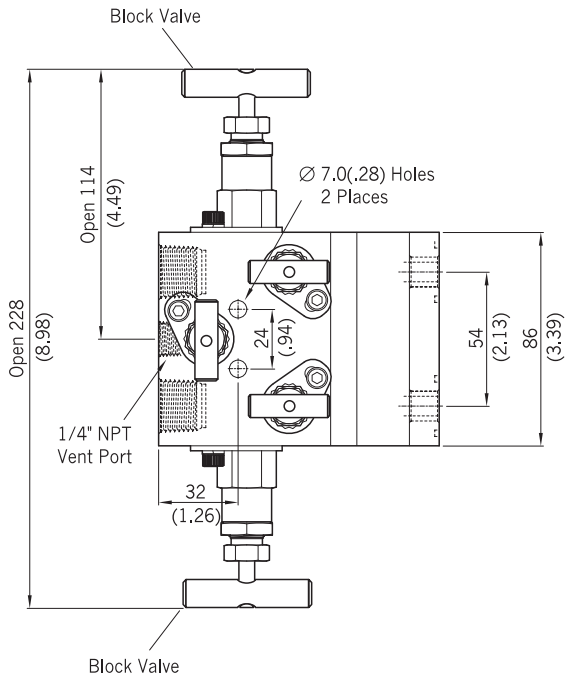


3-Valves Single Block Flange  
**VM3E-BF**

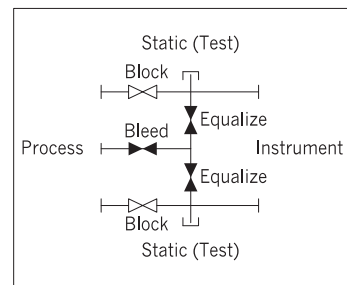
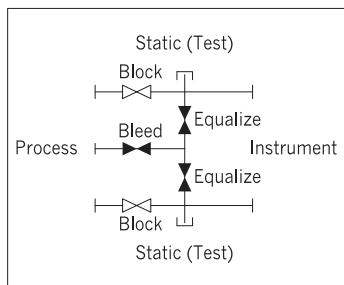
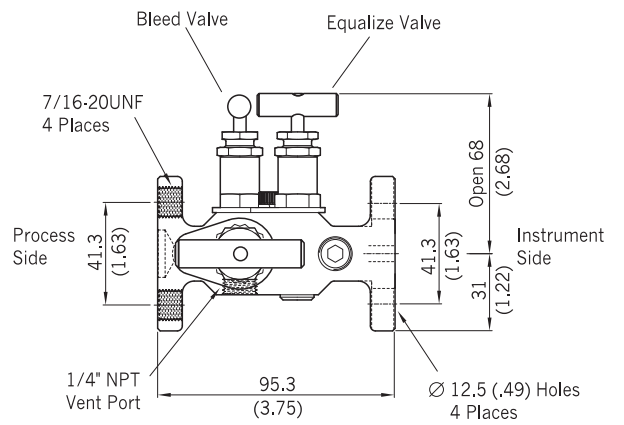
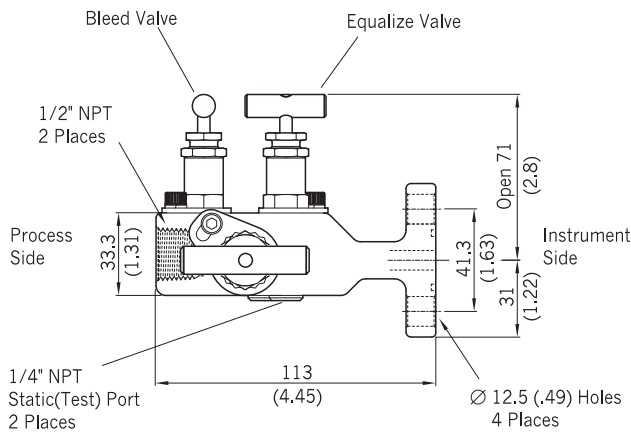
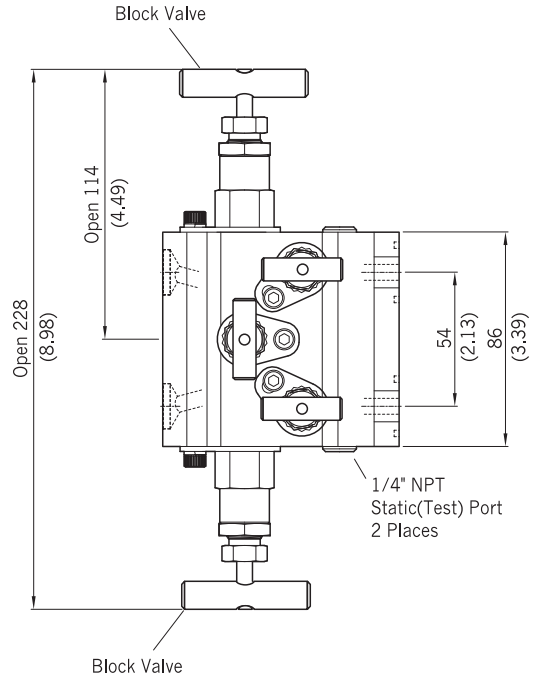


All dimensions are in millimetres (inches) reference only, subject to change.

5-Valves Single Flange  
**VM5B-F-8N**



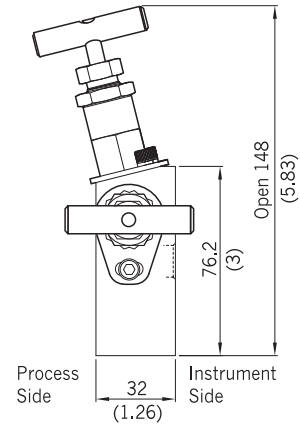
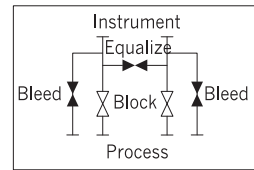
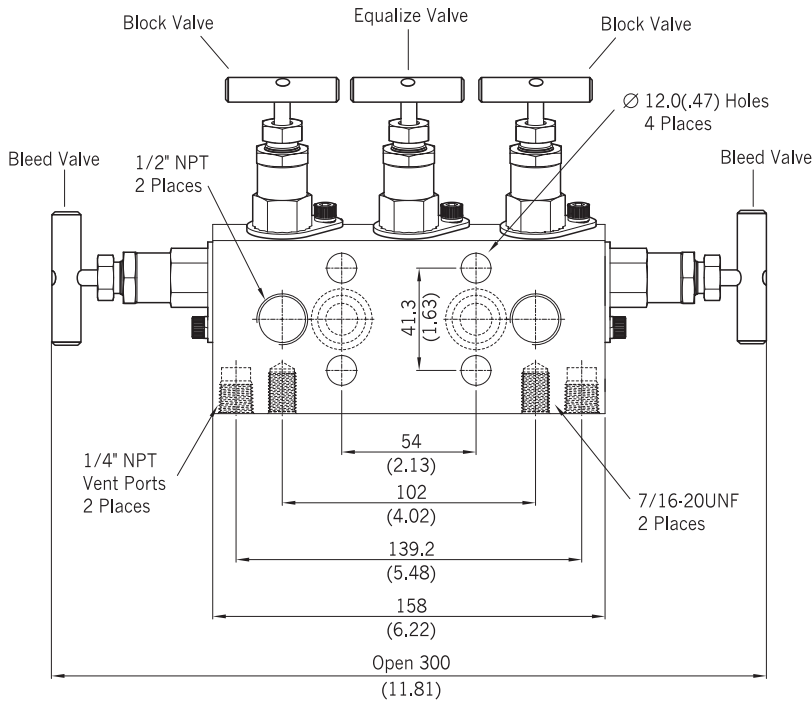
5-Valves Dual Flange  
**VM5C-BF**



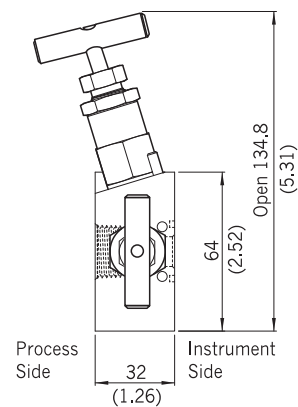
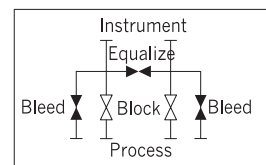
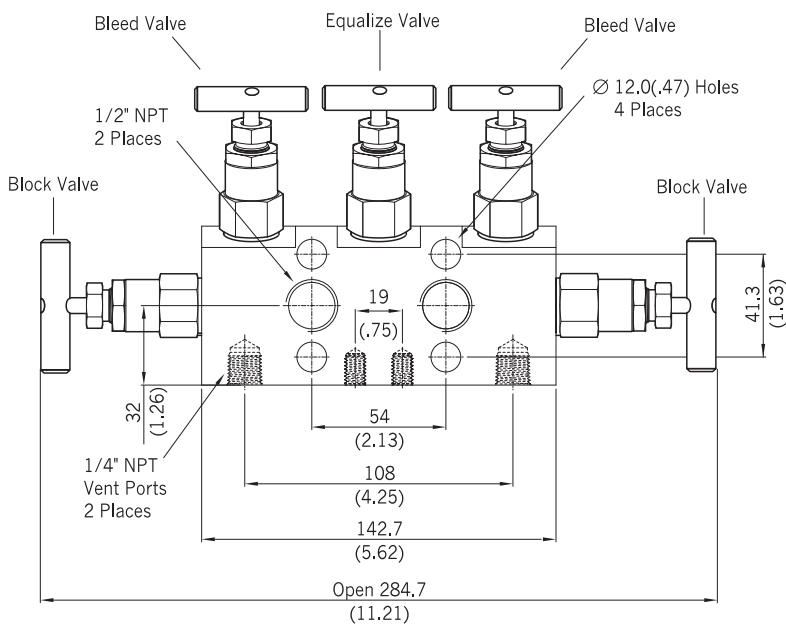
All dimensions are in millimetres (inches) reference only, subject to change.

Instrument Manifold

5-Valves Single Block Flange  
VM5D-F-8N



5-Valves Single Block Flange "A" style  
VM5E-F-8N

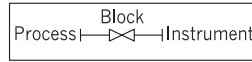


All dimensions are in millimetres (inches) reference only, subject to change.

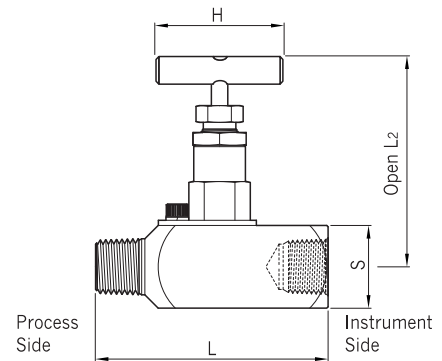
GAGE / ROOT VALVE

Gage Valves

VNG1

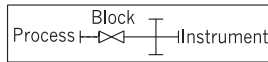


Part No.	End Connection		Dimensions				Weight (kg/lb)
	Process	Instrument	L	L <sub>2</sub>	H	S	
VNG1-MF-8N	Male NPT 1/2"	Female NPT 1/2"	90 (3.54)	87.0 (3.43)	50 (1.97)	32 (1.26)	0.6/1.3
VNG1-MF-12N-8N	Male NPT 3/4"	Female NPT 1/2"		104.5 (4.11)		35 (1.38)	0.7/1.5
VNG1-MF-8N-12N	Male NPT 1/2"	Female NPT 3/4"	84 (3.3)	87.0 (3.43)	50 (1.97)	32 (1.26)	0.7/1.5
VNG1-F-8N	Female NPT 1/2"	Female NPT 1/2"		104.5 (4.11)		35 (1.38)	0.7/1.5

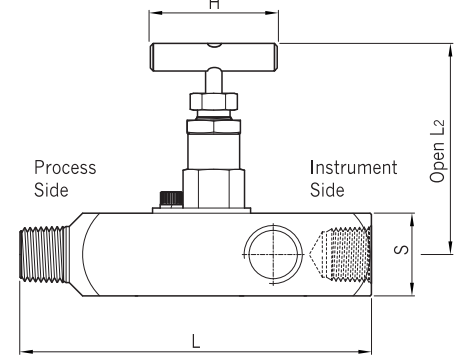


Root Valves

VNGR



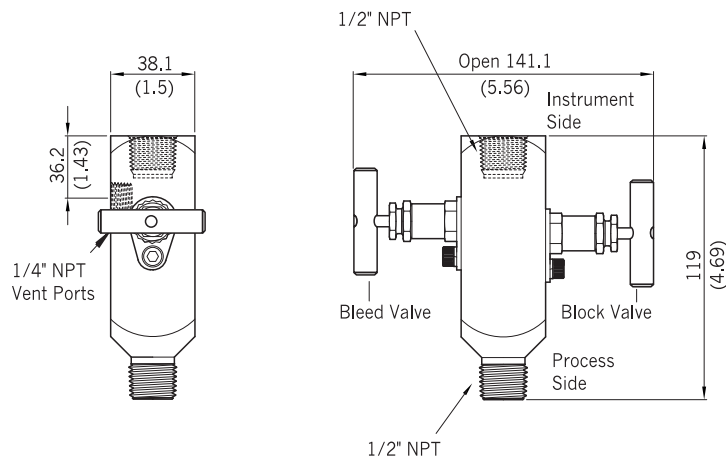
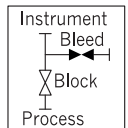
Part No.	End Connection		Dimensions				Weight (kg/lb)
	Process	Instrument	L	L <sub>2</sub>	H	S	
VNGR-MF-8N	Male NPT 1/2"	Female NPT 1/2"	136 (5.35)	87.0 (3.43)	50 (1.97)	32 (1.26)	0.9/2.0
VNGR-MF-12N-8N	Male NPT 3/4"	Female NPT 1/2"		104.5 (4.11)		35 (1.38)	1.0/2.2
VNGR-MF-8N-12N	Male NPT 1/2"	Female NPT 3/4"	102 (4.02)	87.0 (3.43)	50 (1.97)	32 (1.26)	1.0/2.2
VNGR-F-8N	Female NPT 1/2"	Female NPT 1/2"		104.5 (4.11)		35 (1.38)	0.8/1.8



Gage 2-Valves

VNG2

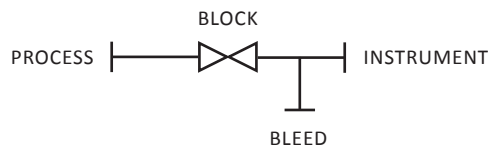
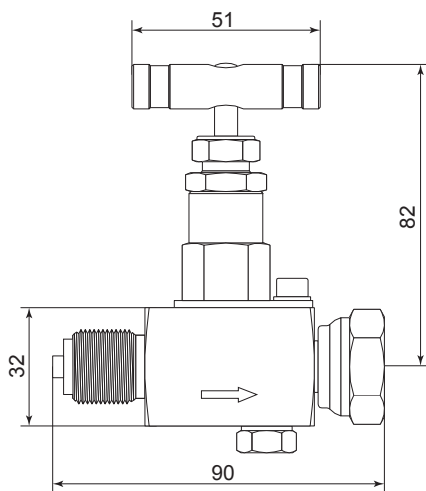
VNG2-MF-8N



All dimensions are in millimetres (inches) reference only, subject to change.



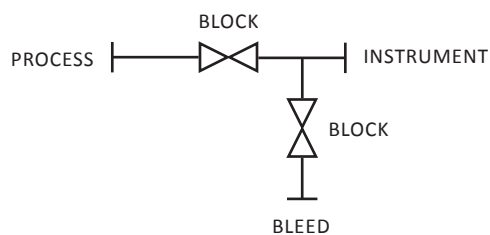
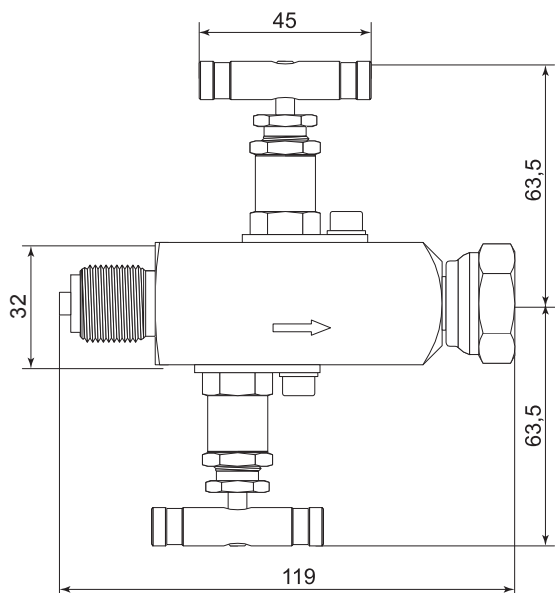
**ROOT VALVE VNG1**



Order code	Connections		
	Process	Instrument	Bleed
VNG1-MRF-20M	M20x1.5	M20x1.5 positional	G1/8"
VNG1-MRF-8G	G1/2"	G1/2" positional	G1/8"

SUPPLIED WITH PLUG FOR BLEED

**2-VALVES ROOT MANIFOLD VNG2**



Order code	Connections		
	Process	Instrument	Bleed
VNG2-MRF-20M	M20x1.5	M20x1.5 positional	G1/4"
VNG2-MRF-8G	G1/2"	G1/2" positional	G1/4"

SUPPLIED WITH PLUG FOR BLEED

All dimensions are in millimetres (inches) reference only, subject to change.